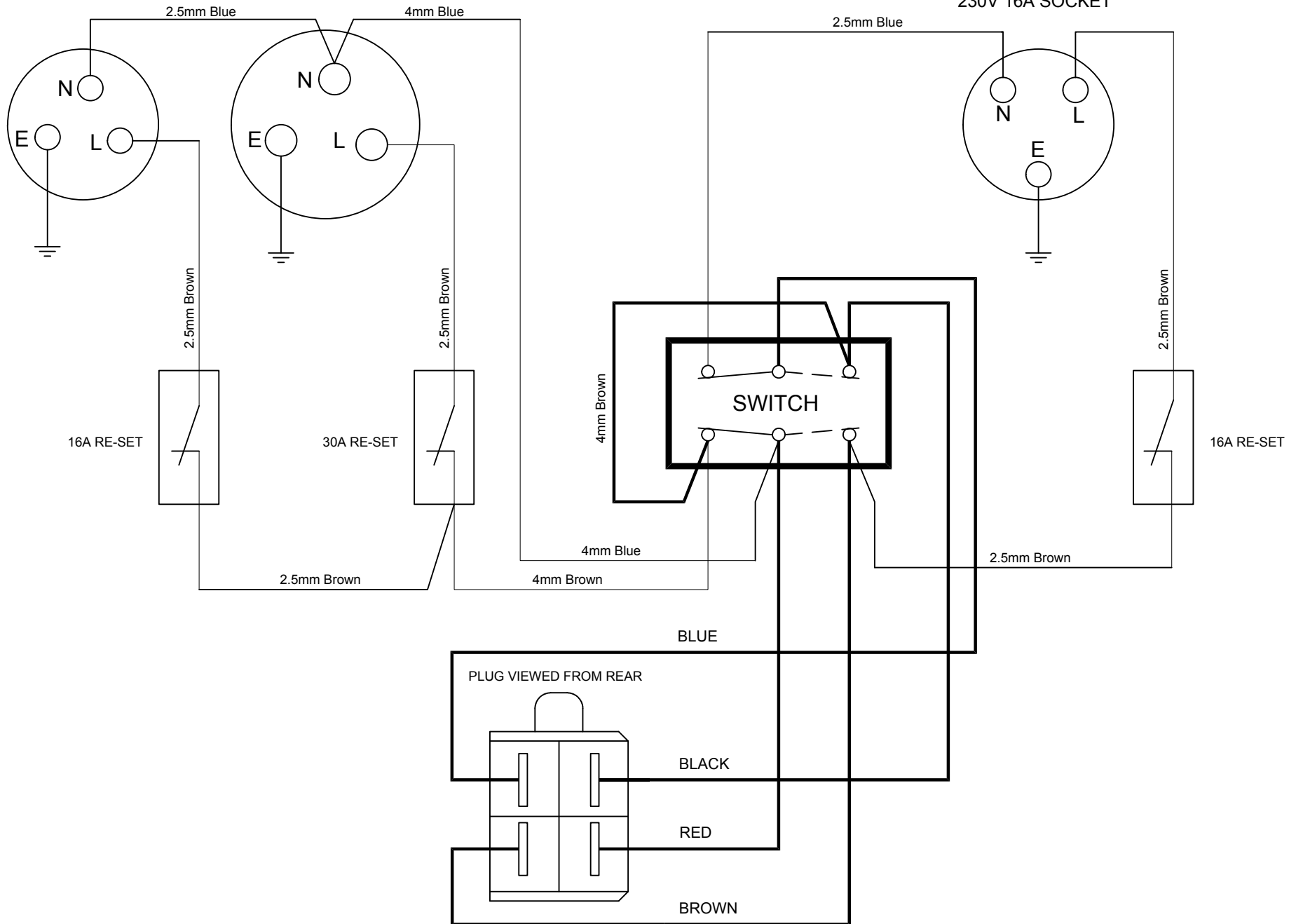
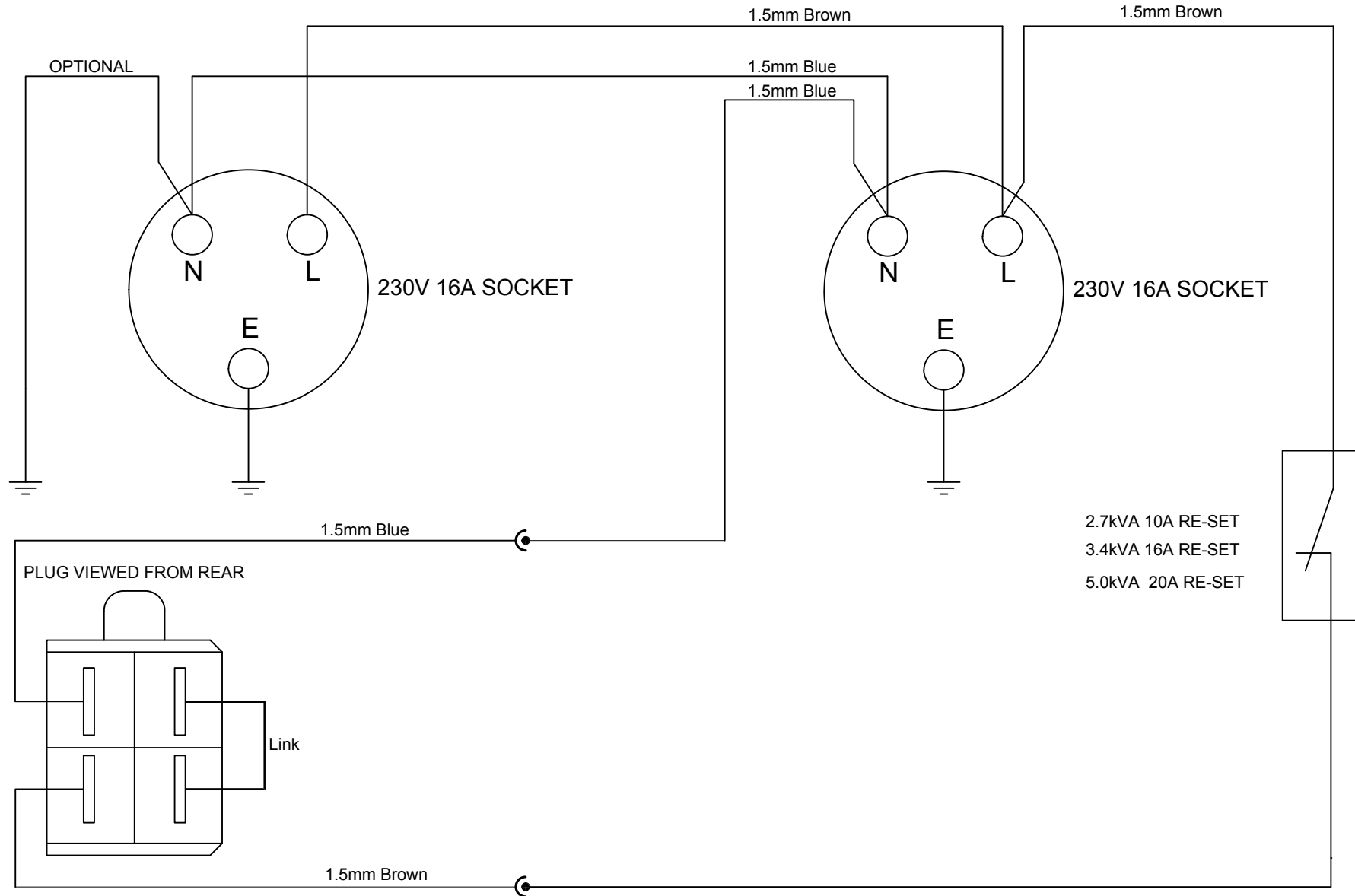


115V 16A SOCKET

115V 32A SOCKET

230V 16A SOCKET





STEPHILL GENERATORS

Phone 01933 677911
Fax 01933 677916

Drawing Number
SW12083

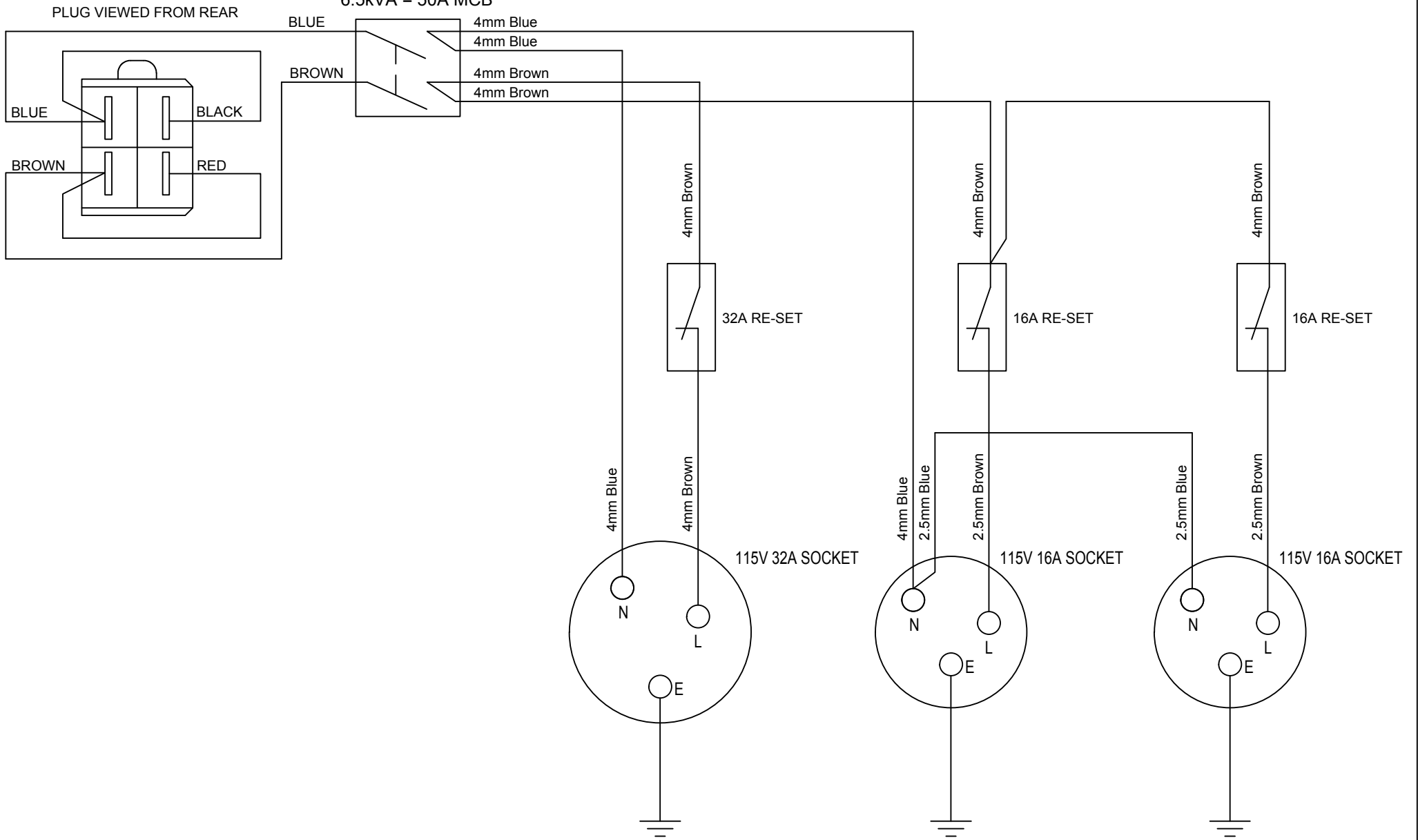
Drawn
R Golding

Description
NSM 2.7-5.0kVA 230V HMS box wiring

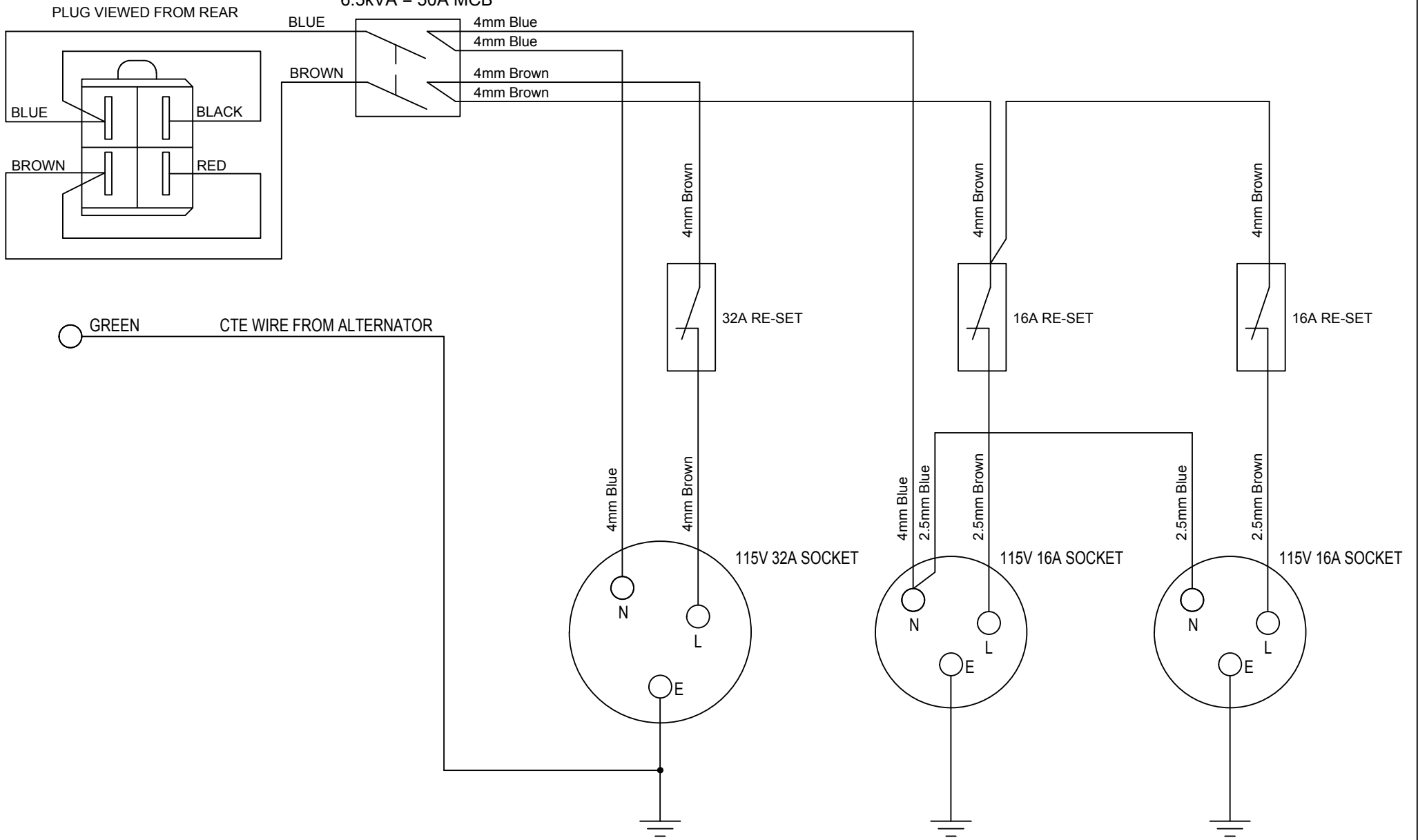
Last Number Used
N/A

Issue	Date	Revision
A	29-07-15	New drawing

3.4kVA = 20A MCB
 5.0kVA = 40A MCB
 6.5kVA = 50A MCB

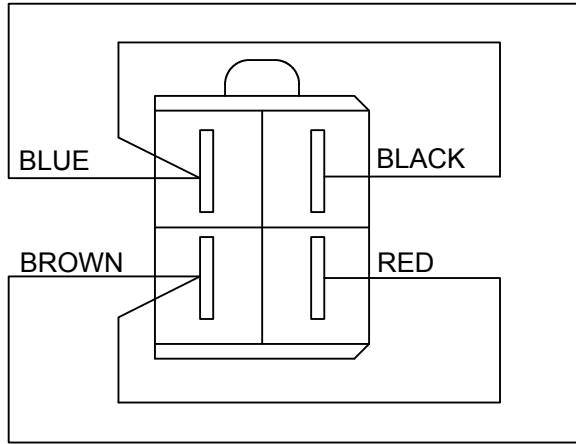


3.4kVA = 20A MCB
 5.0kVA = 40A MCB
 6.5kVA = 50A MCB

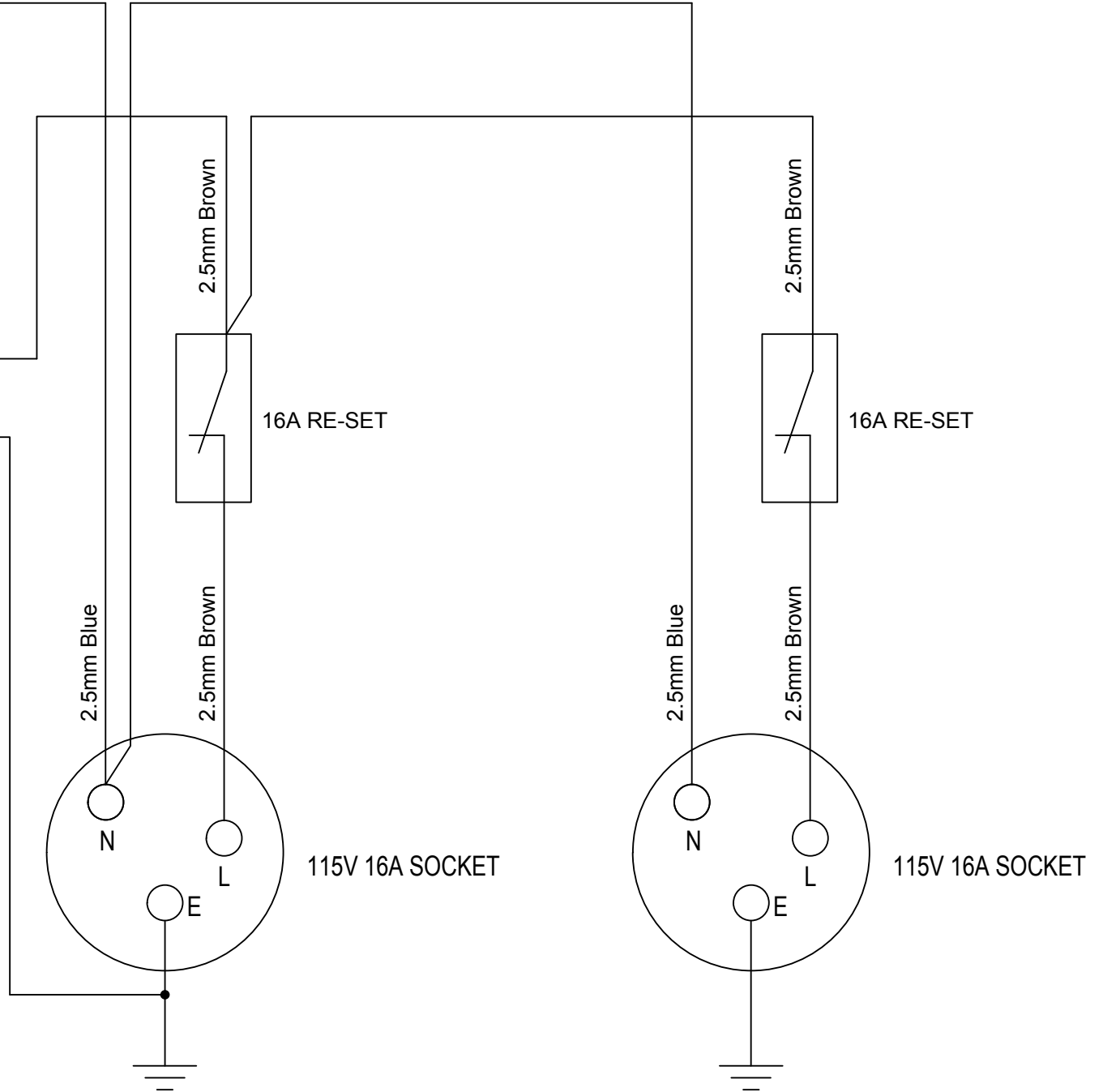


Issue	Date	Revision
A	30-07-15	New drawing

PLUG VIEWED FROM REAR



GREEN
CTE WIRE FROM ALTERNATOR



STEPHILL GENERATORS

Phone 01933 677911
Fax 01933 677916

Drawing Number
SW12089

Drawn
R GOLDING

Description
NSM 2.7-3.4kVA 115V CTE 2 x 16A Sockets

Last Number Used
N/A

Issue	Date	Revision
A	30-07-15	New drawing