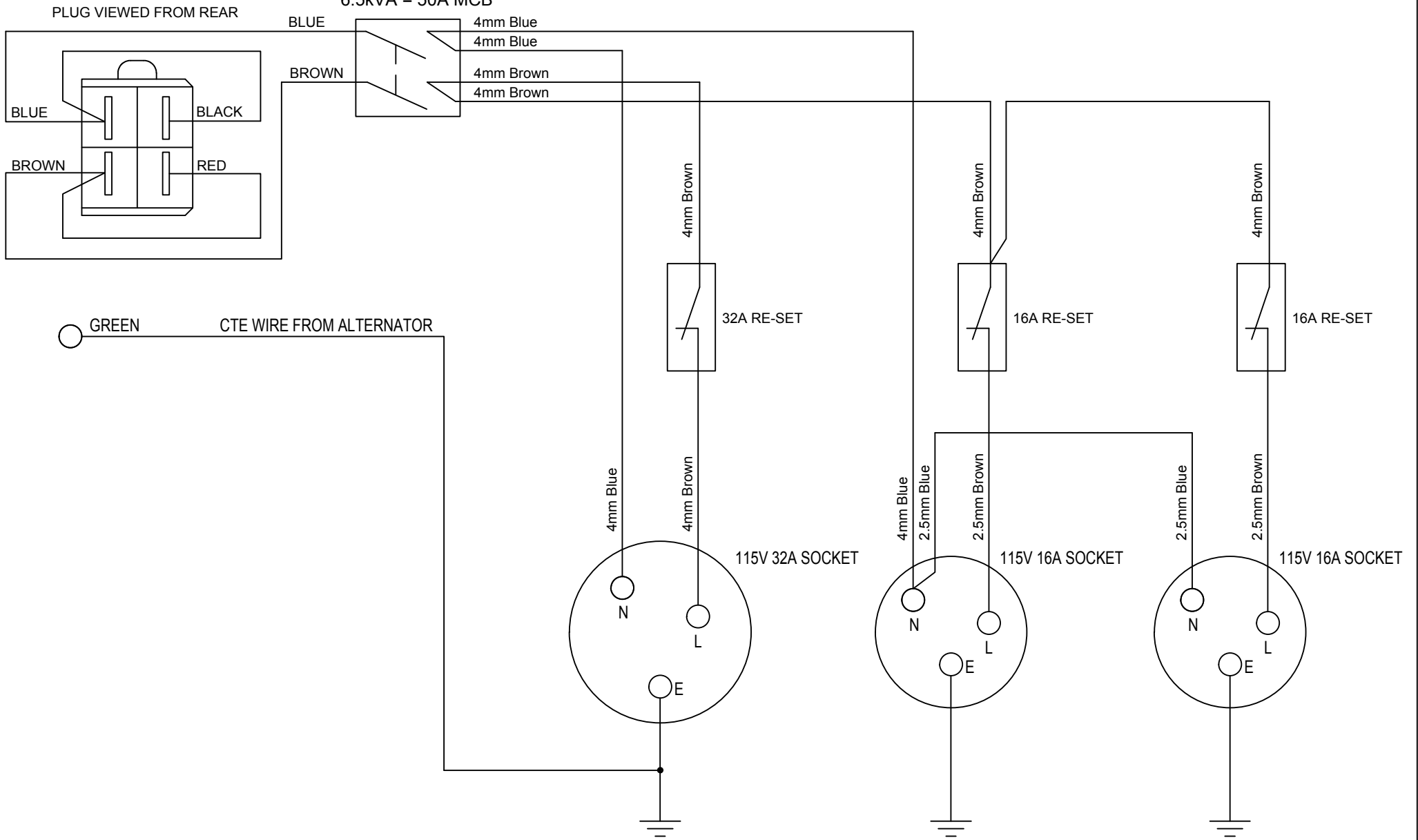


3.4kVA = 20A MCB
 5.0kVA = 40A MCB
 6.5kVA = 50A MCB



Issue	Date	Revision
A	30-07-15	New drawing