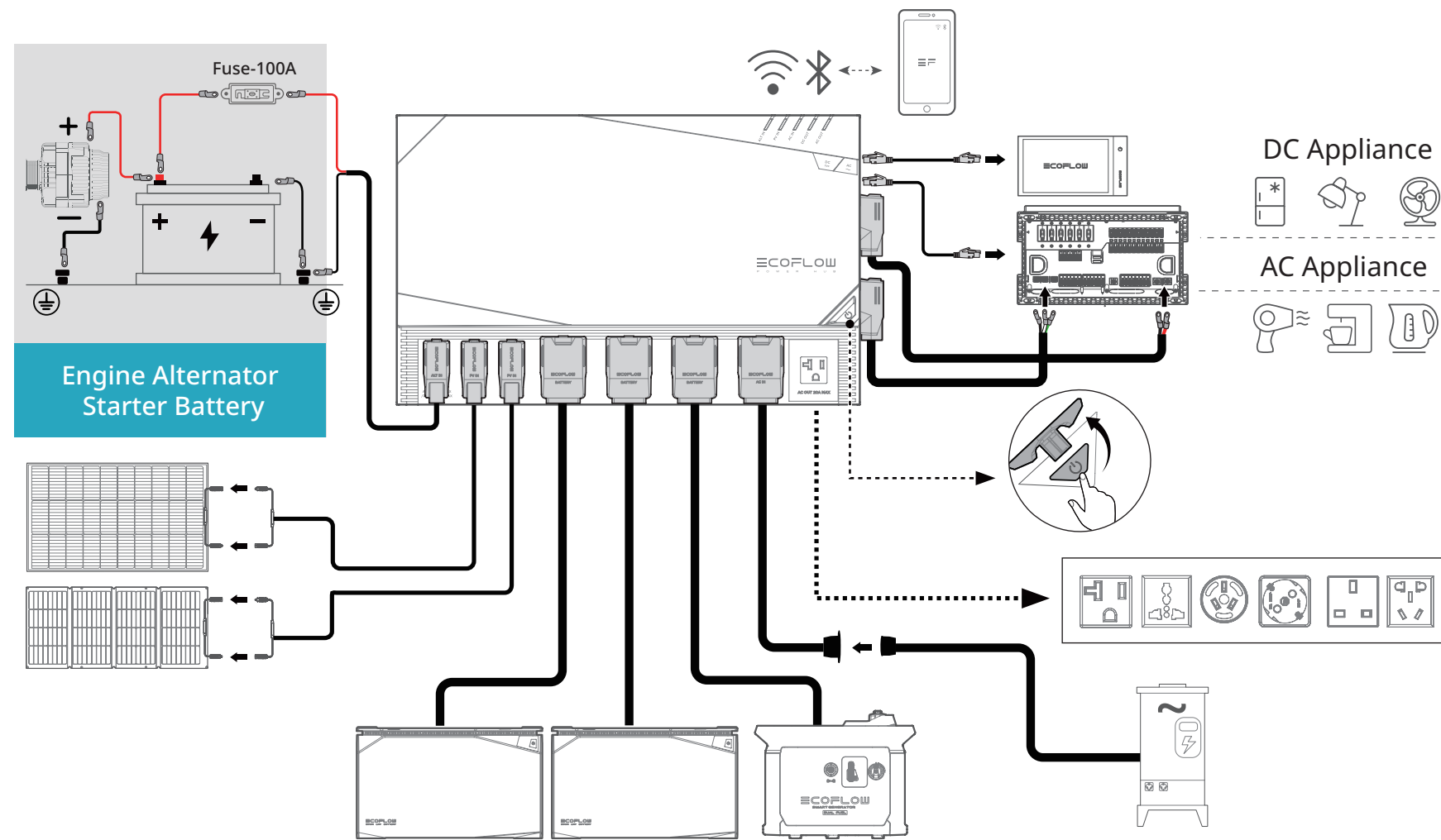
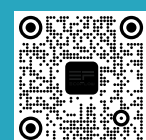
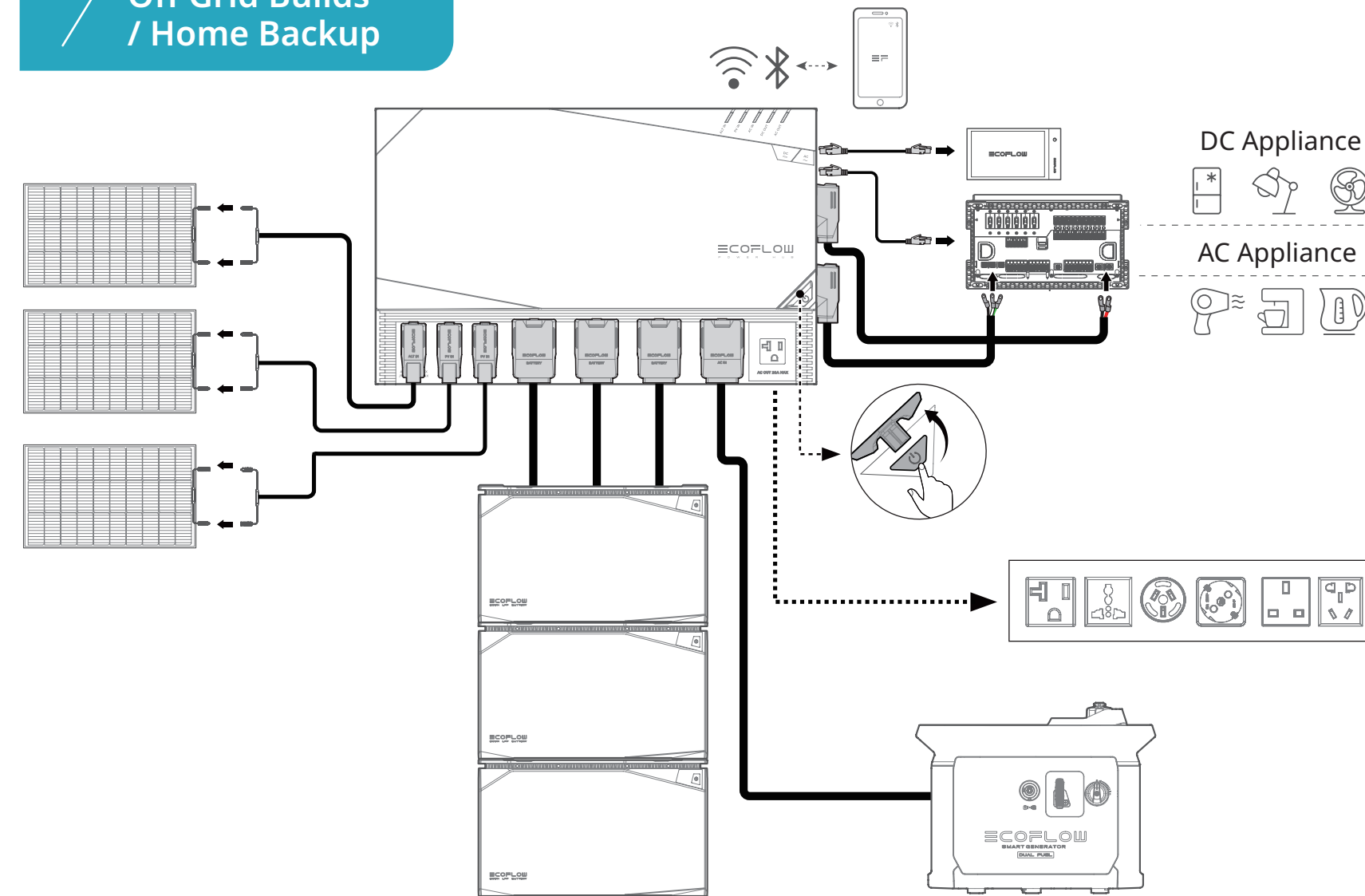


Recreational Vehicle (RV)



Off Grid Builds / Home Backup



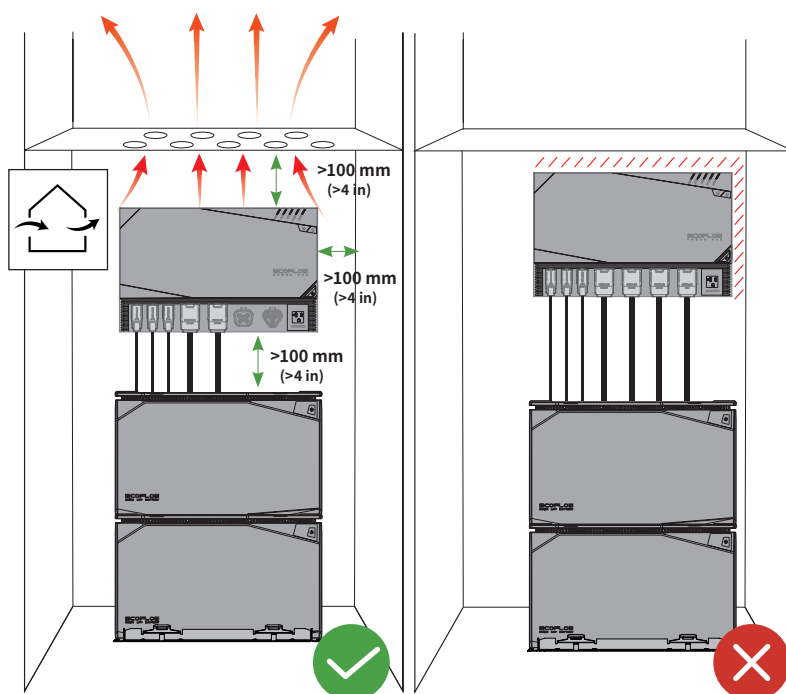
For details, please scan the QR code or visit <https://www.ecoflow.com/support/download/power-kits>

1 Power Hub

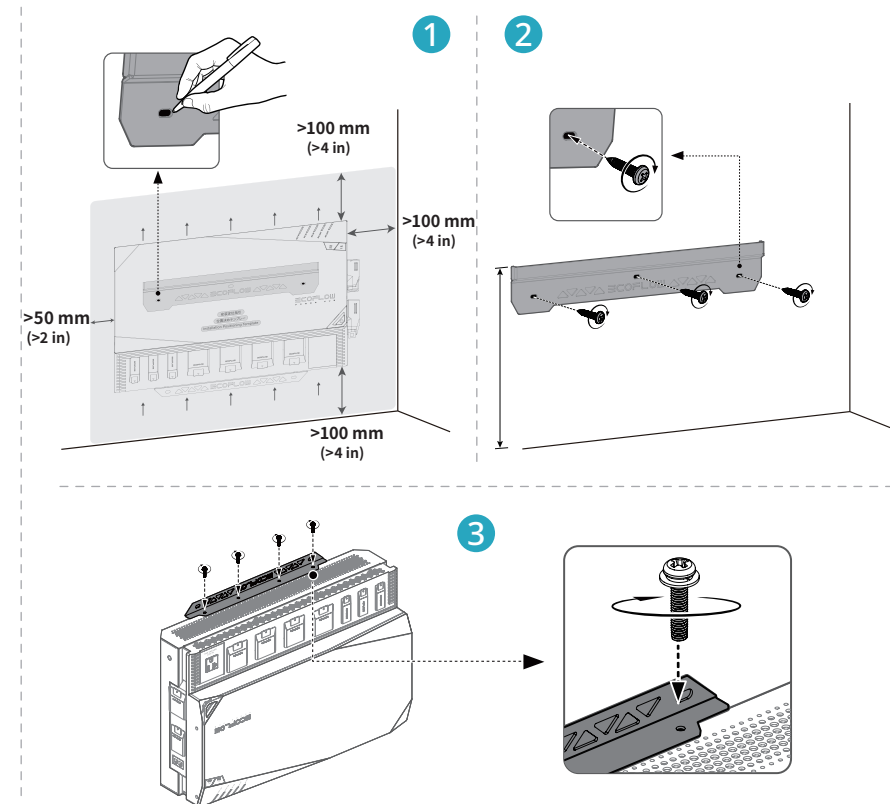
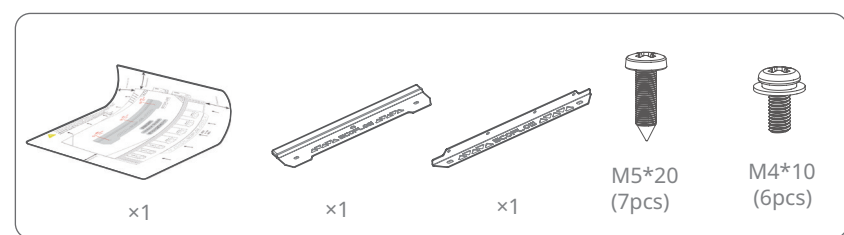


Ventilation is a MUST to prevent the Power Hub from overheating.

CAUTION!

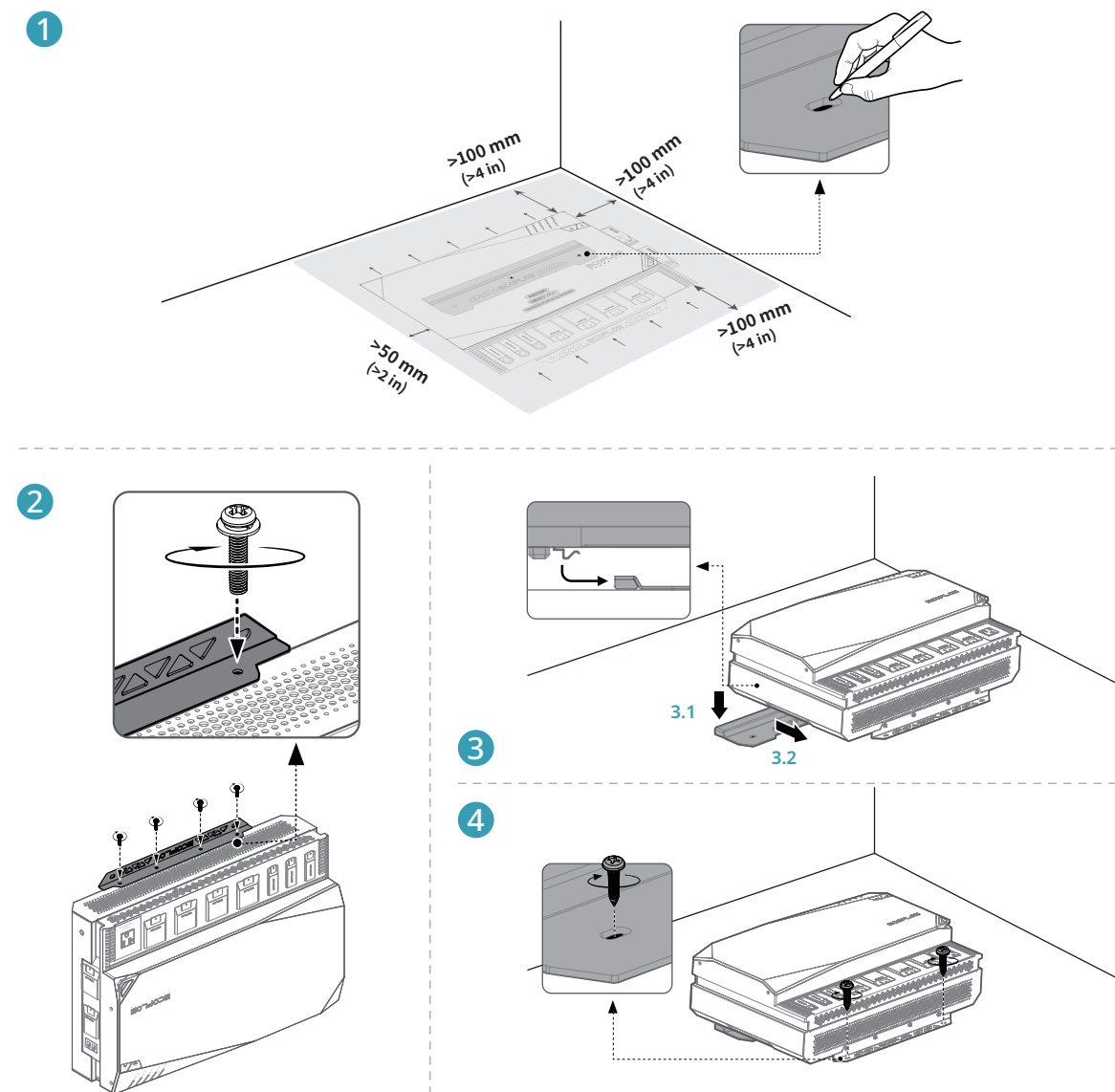
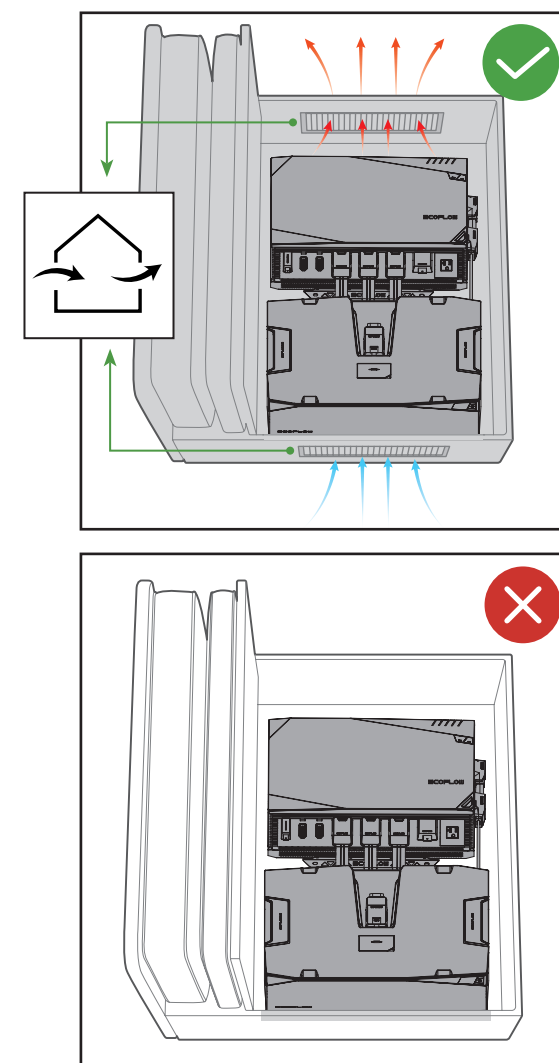


Wall Mounting

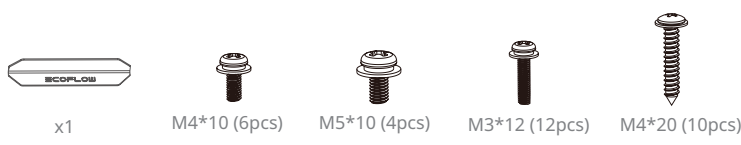


Surface Mounting

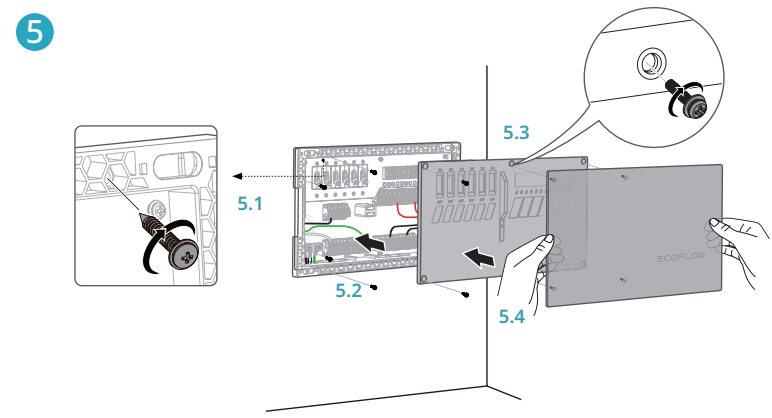
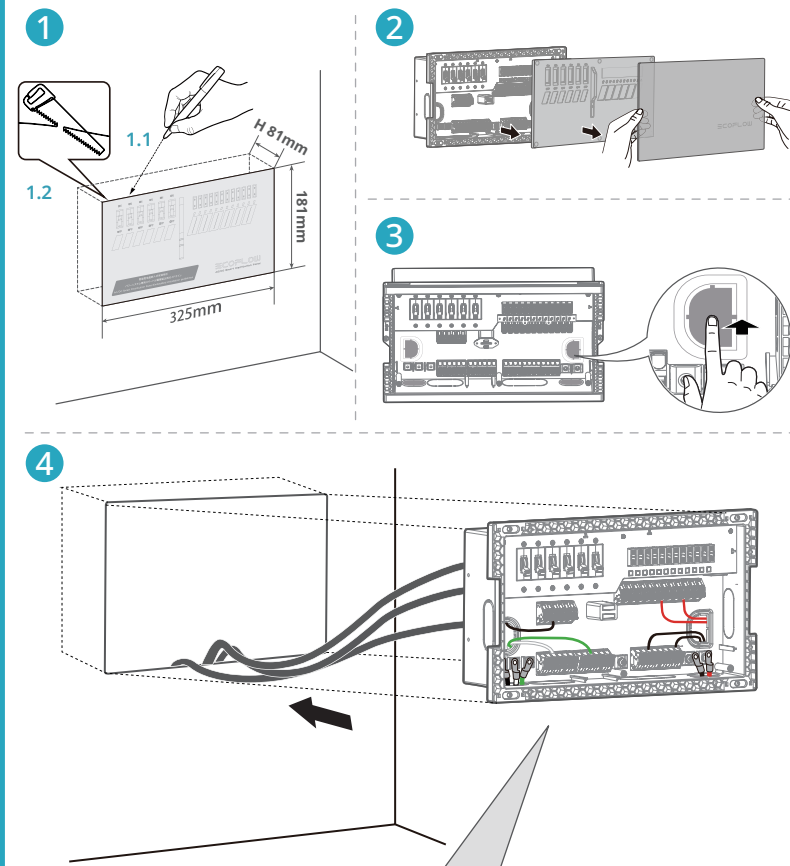
CAUTION!



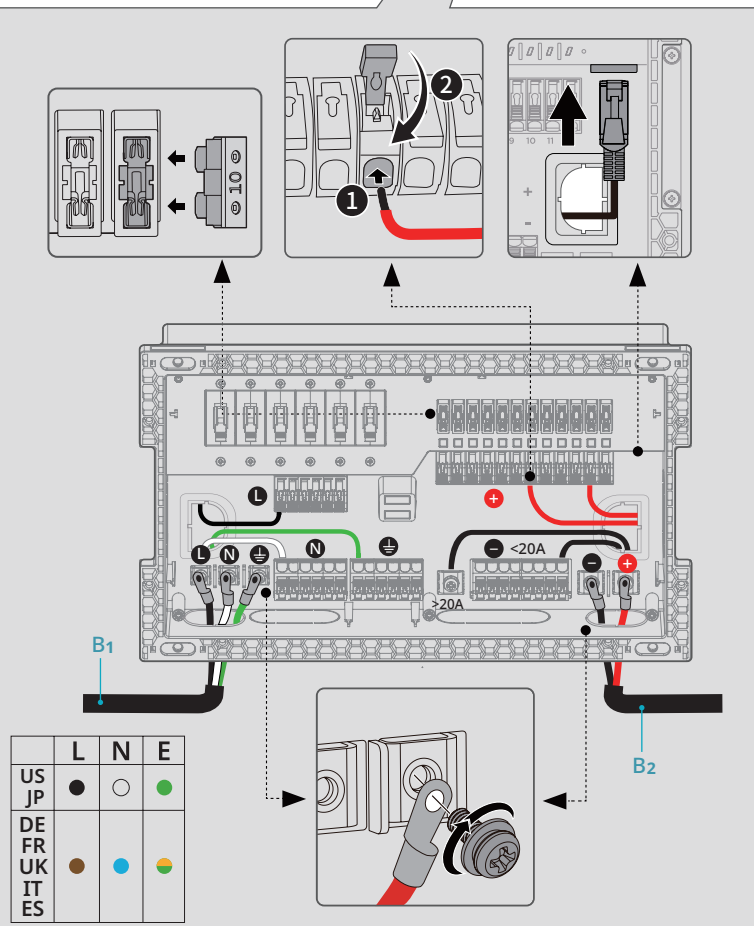
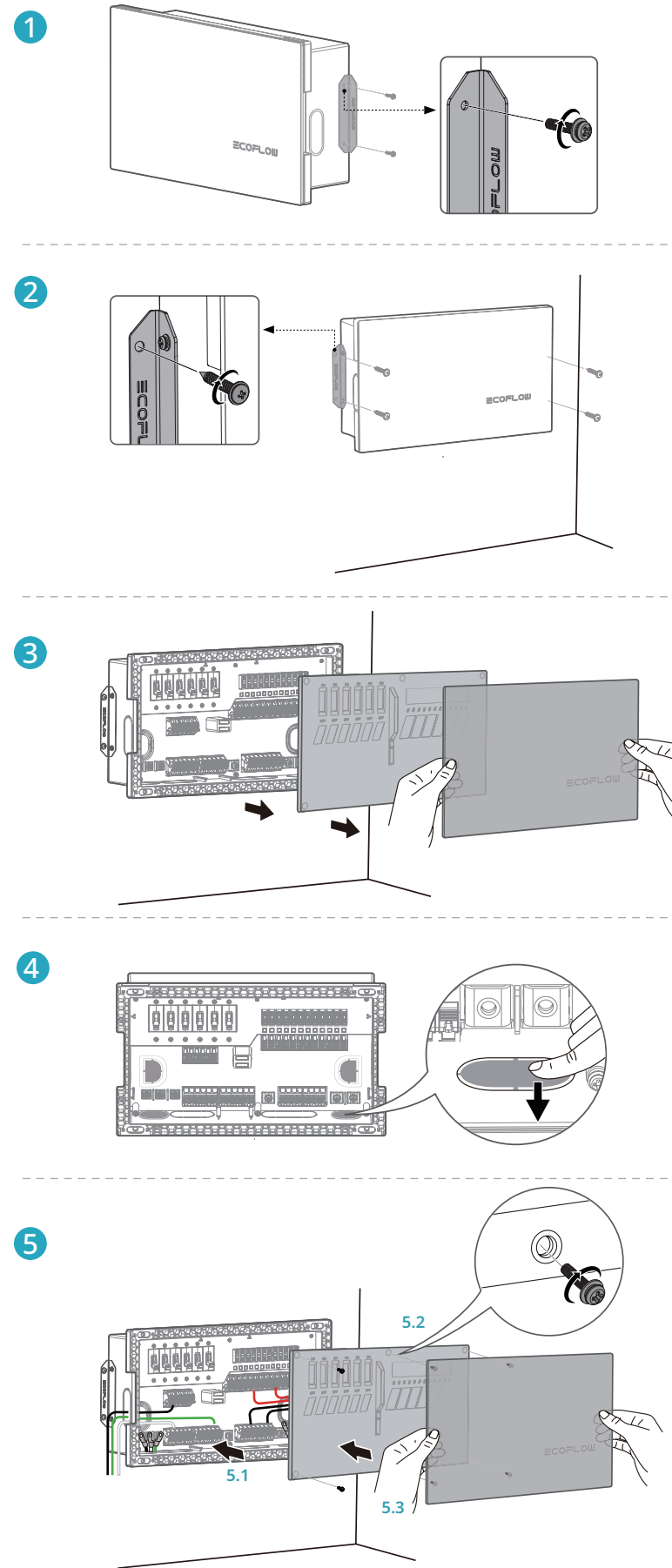
2 / AC/DC Smart Distribution Panel



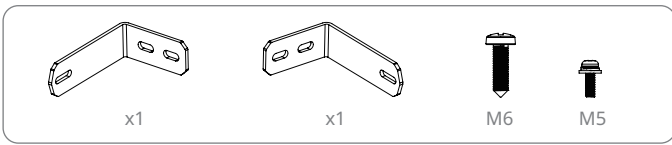
Installing into a recess



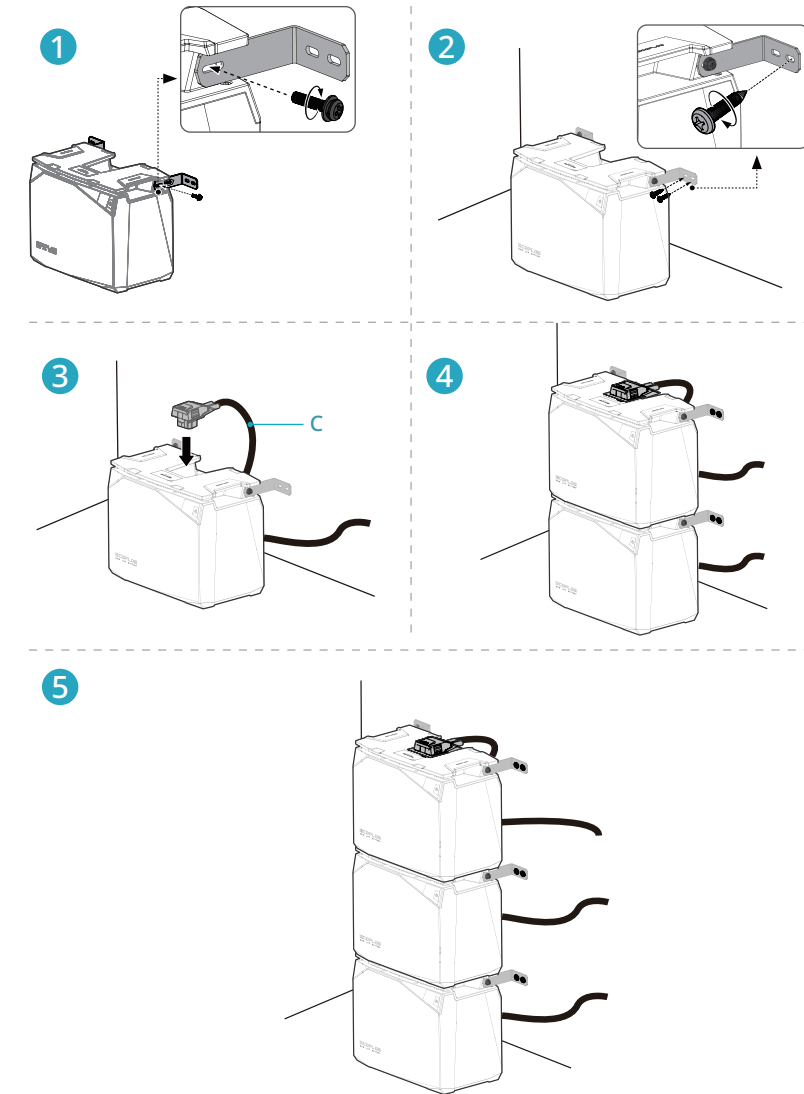
Wall Mounting



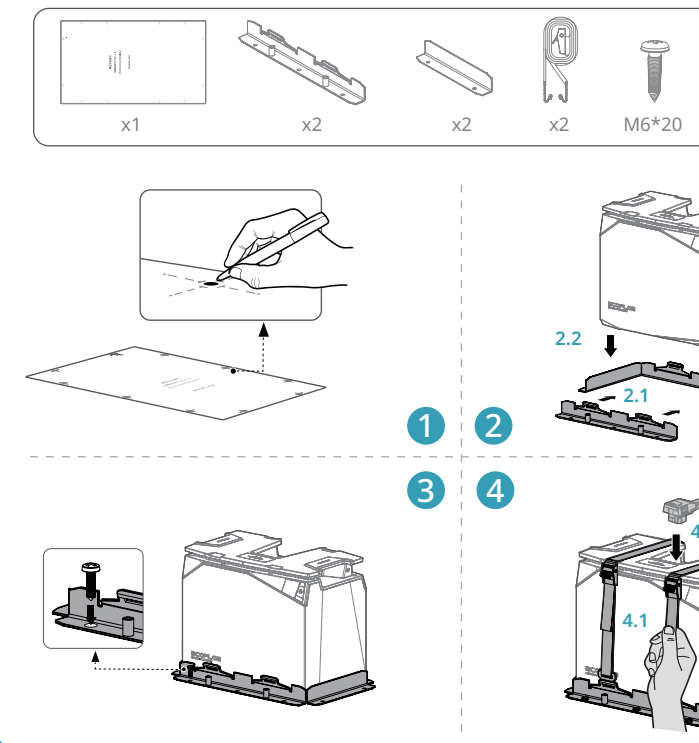
3 / 2KWh / 5KWh LFP Battery



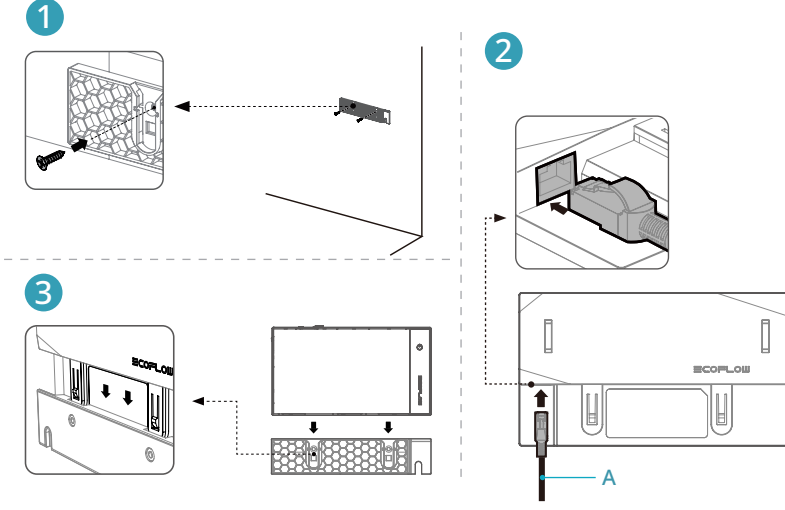
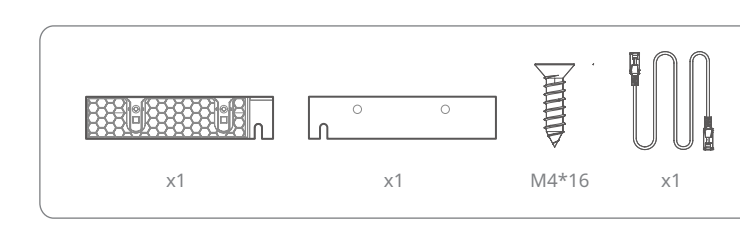
Stacking Installation



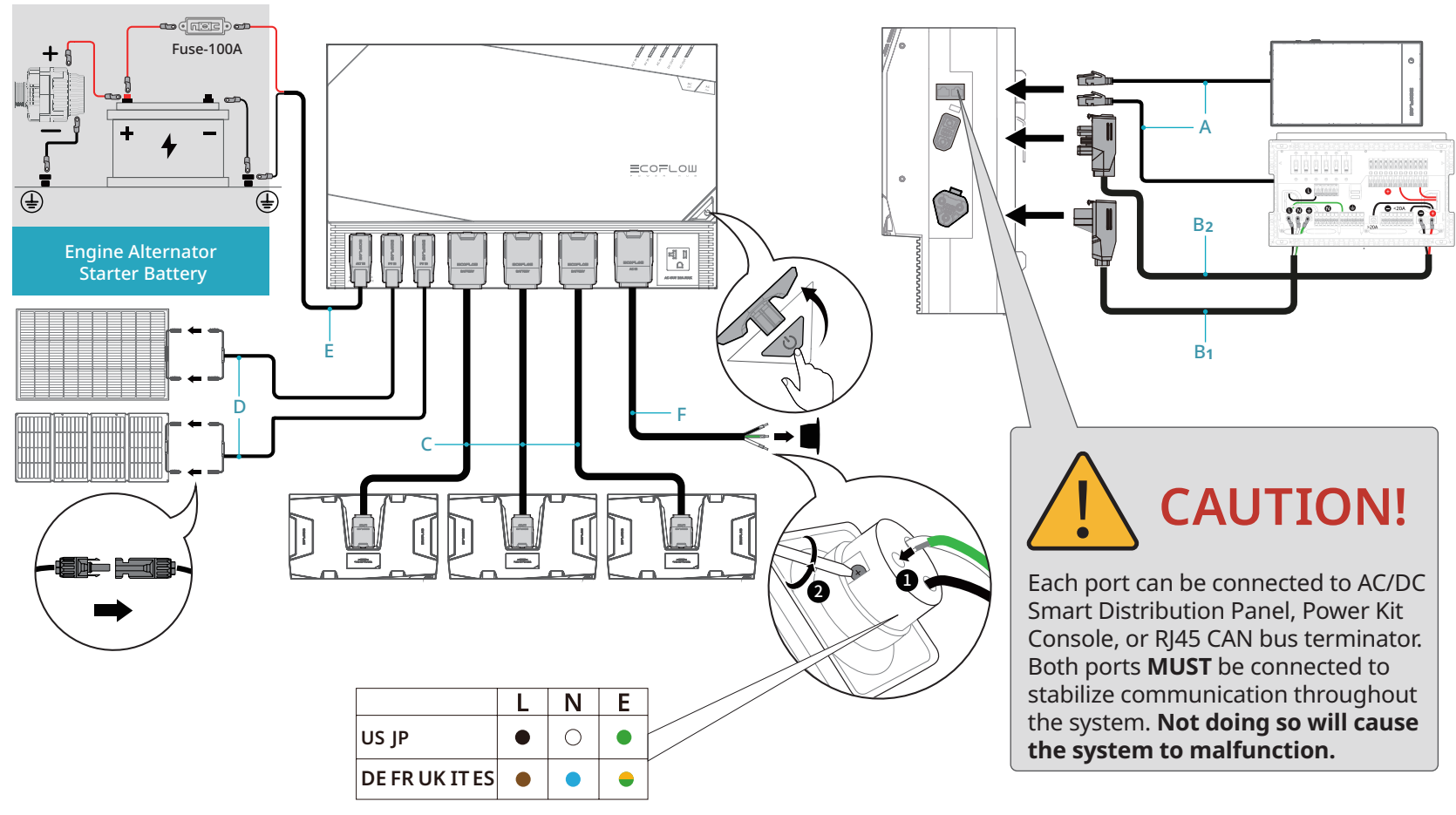
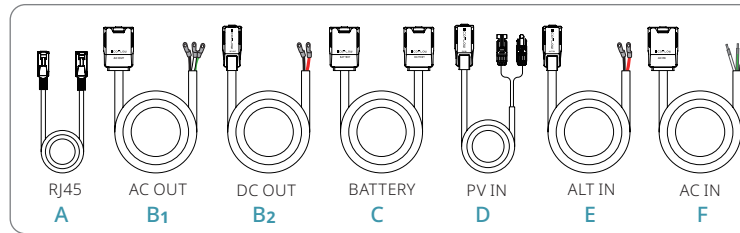
Surface Mounting



4 / Power Kit Console



5 / Connecting Components



6 / EcoFlow App

