



The AceCube Compact tank range is a transportable cube style tank.



Available Models

- ✓ ACC-450L (Transportable)
- ✓ ACC-900L (Transportable)

acecube
compact



Enhanced Design Features

Transportable & Portable

The AceCube Compact bundled fuel storage tank range is a transportable cube style tank and can be transported and lifted while full of fuel.

Maintenance

This intelligent double wall tank design provides extra protection and remains a competitive choice insuring users of maximum return on investment, it insures minimal amount of downtime and thus increases over long term ROI.

Dispensing & Accessibility

The AceCube Compact Tank comes equipped with a spacious equipment compartment that allows for the secure storage of electric pumps.

Unique Design Standard

The AceCube Compact Tank comes complete with a primary galvanized hatch lid and four galvanized stacking corners. The innovative design allows the primary hatch lid to open up to conveniently positioned fitting ports. It also comes complete with the distinctive AceCube bidirectional Forklift pocket design.

Durability

The Cube-style tank design allows for 360-degree tank viewing and inspection. A high-grade paint finish ensures longer durability when exposed to the elements.



Design Innovation

Take a look inside

The AceCube Compact tank range has been designed with Bi-directional forklift pockets for ease of manouveravblity on site. It comes with four stacking corners which also act as lifting devices.

There are conveniently positioned ports & fittings with a recessed equipment compartment area for the upfitting of various 12V Diesel electrical pumps. The tank range is ideal for quick connection to Generators and Pump sets.



Standard Features



Uniquely designed equipment compartment area to accommodate the fitting of various sized dispensing pumps.



Intergrated bi-directional forklift pocket base frame. Designed for ease of lifting and handling.



Space efficient design, easily stacks 3 high when empty and 2 high when full.

acecube

compact

Model (ACC-450L)

The AceCube Compact model ACC-450L is designed for the safe and secure transporting and storage of various industrial lubricants and hazardous liquids worldwide.



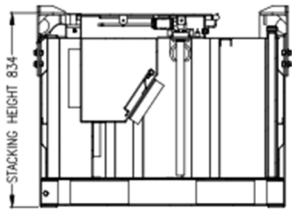
Specifications

	Metric	US	Imperial
Capacity	450 Litres	119 Gallons	99 Gallons
Length	1150 mm	3ft 9"	3ft 9"
Width	1100 mm	3ft 7"	3ft 7"
Height	864 mm	2ft 10"	2ft 10"
Outer Tank Thickness	2 mm	1/16"	1/16"
Inner Tank Thickness	2 mm	1/16"	1/16"
Weight, Tare	304 kg	670 lbs, 3oz	670 lbs, 3oz
Weight, Laden	667 kg	1470 lbs, 8oz	1470 lbs, 8oz
Safe Fuel Fill Level	428 Litres	113 Gallons	94 Gallons

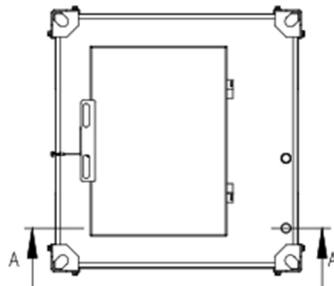
Approvals and Certifications

UK & Europe

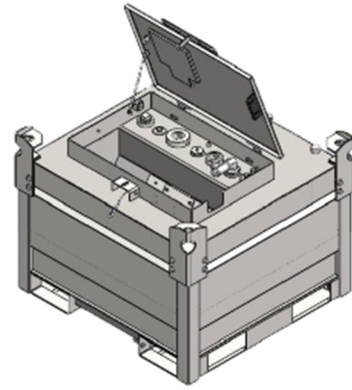
- ✓ CE Marked
- ✓ UN 31 A/Y Compliant Design
- ✓ Lifting when Full
- ✓ Vibration Tested



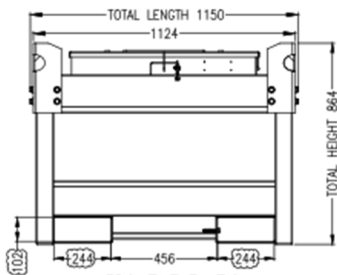
SECTION A-A



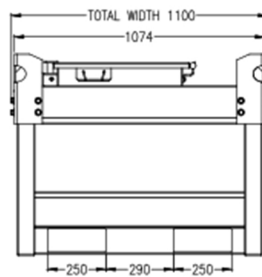
PLAN VIEW



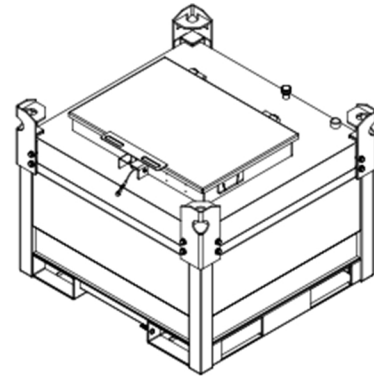
ISOMETRIC VIEW 2



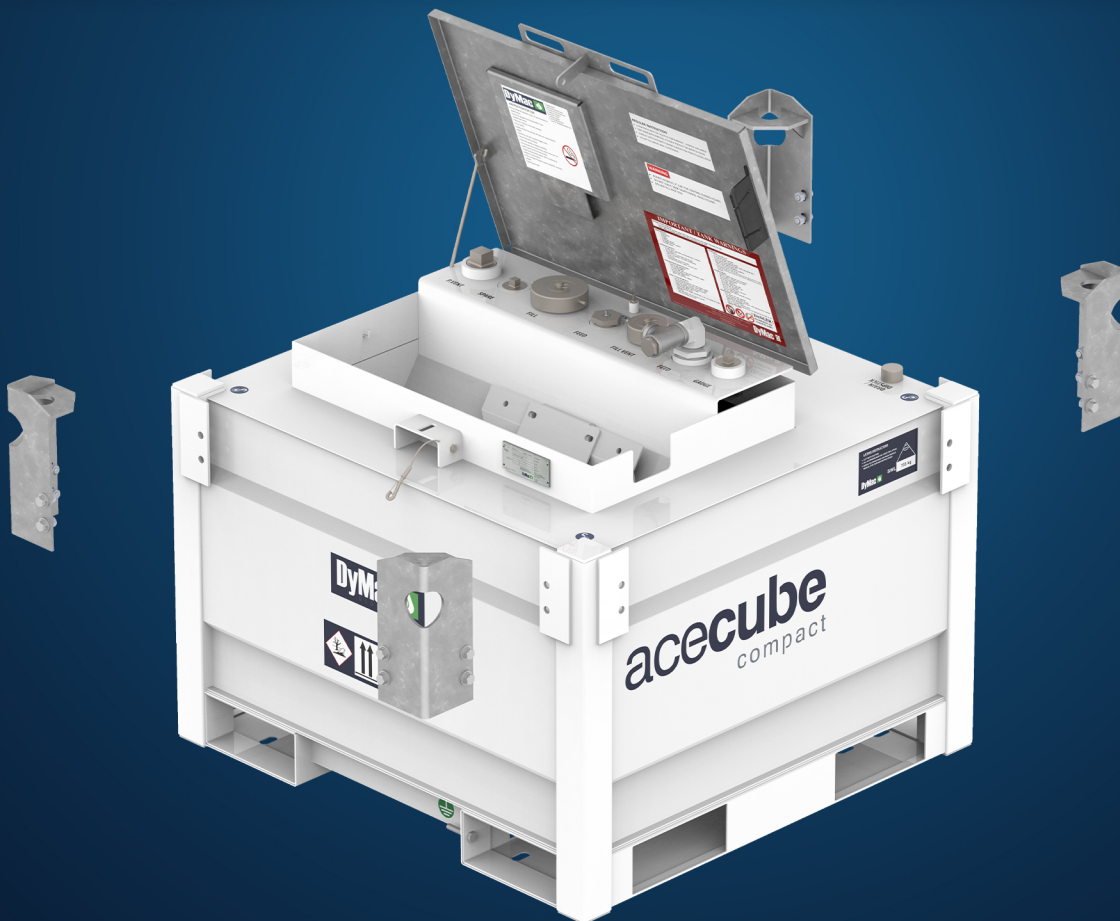
FRONT ELEVATION



SIDE ELEVATION



ISOMETRIC VIEW 1



Model (ACC-900L)

The AceCube Compact model ACC-900L is designed for the safe and secure transporting and storage of various industrial lubricants and hazardous liquids worldwide.



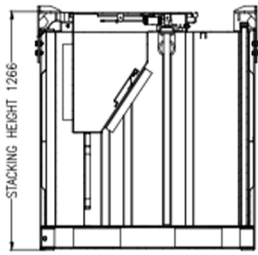
Specifications

	Metric	US	Imperial
Capacity	849 Litres	224 Gallons	187 Gallons
Length	1190 mm	3ft 10"	3ft 10"
Width	1150 mm	3ft 9"	3ft 9"
Height	1296 mm	4ft 3"	4ft 3"
Outer Tank Thickness	2 mm	1/16"	1/16"
Inner Tank Thickness	2 mm	1/16"	1/16"
Weight, Tare	419 kg	910 lbs, 8oz	910 lbs, 8oz
Weight, Laden	1099 kg	2422 lbs, 14oz	2422 lbs, 14oz
Safe Fuel Fill Level	807 Litres	213 Gallons	178 Gallons

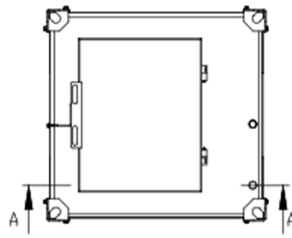
Approvals and Certifications

UK & Europe

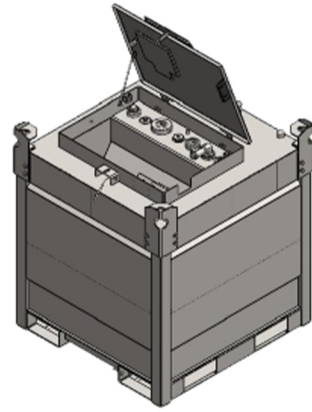
- ✓ CE Marked
- ✓ UN 31 A/Y Compliant Design
- ✓ Vibration Tested
- ✓ Lifting when Full



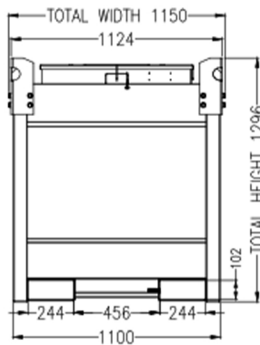
SECTION A-A



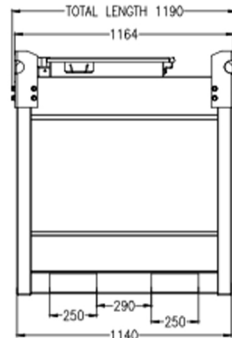
PLAN VIEW



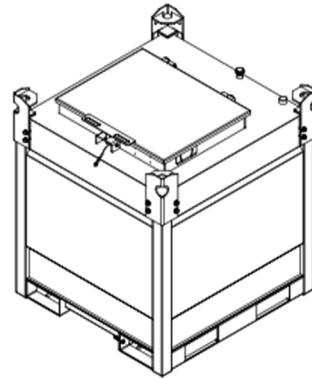
ISOMETRIC VIEW 2



FRONT ELEVATION



SIDE ELEVATION



ISOMETRIC VIEW 1





Fuelling Your Progress

DyMac Global LTD

E: sales@dymacglobal.com

T: +353 1 442 0516

BROWNSTOWN ROAD
COMMONS, NEWCASTLE
CO. DUBLIN
IRELAND
D22 Y2F2

DYMAC UK

E: sales@dymacuk.com

T: +44 300 303 3353

SNARESTONE ROAD
NEWTON BURGOLAND
LEICESTERSHIRE
UNITED KINGDOM
LE67 2SN

DYMAC INDIA ENGINEERING PVT LTD.

E: india@dymacglobal.com

T: +91 8243559370

FIRST FLOOR,
AJANTA BUSINESS CENTER,
BEJAI KAPIKAD,
MANGALORE D.K.,
KARNATAKA - 575003,
INDIA

DYMAC CANADA INC

E: canada@dymacglobal.com

T: +1 905 564 3654

MISSISSAUGA
TORONTO
CANADA

DYMAC USA INC

E: usa@dymacglobal.com

T: +1 905 564 3654

3028 GREENMOUNT AVE #2038
BALTIMORE, MD
UNITED STATES
21218